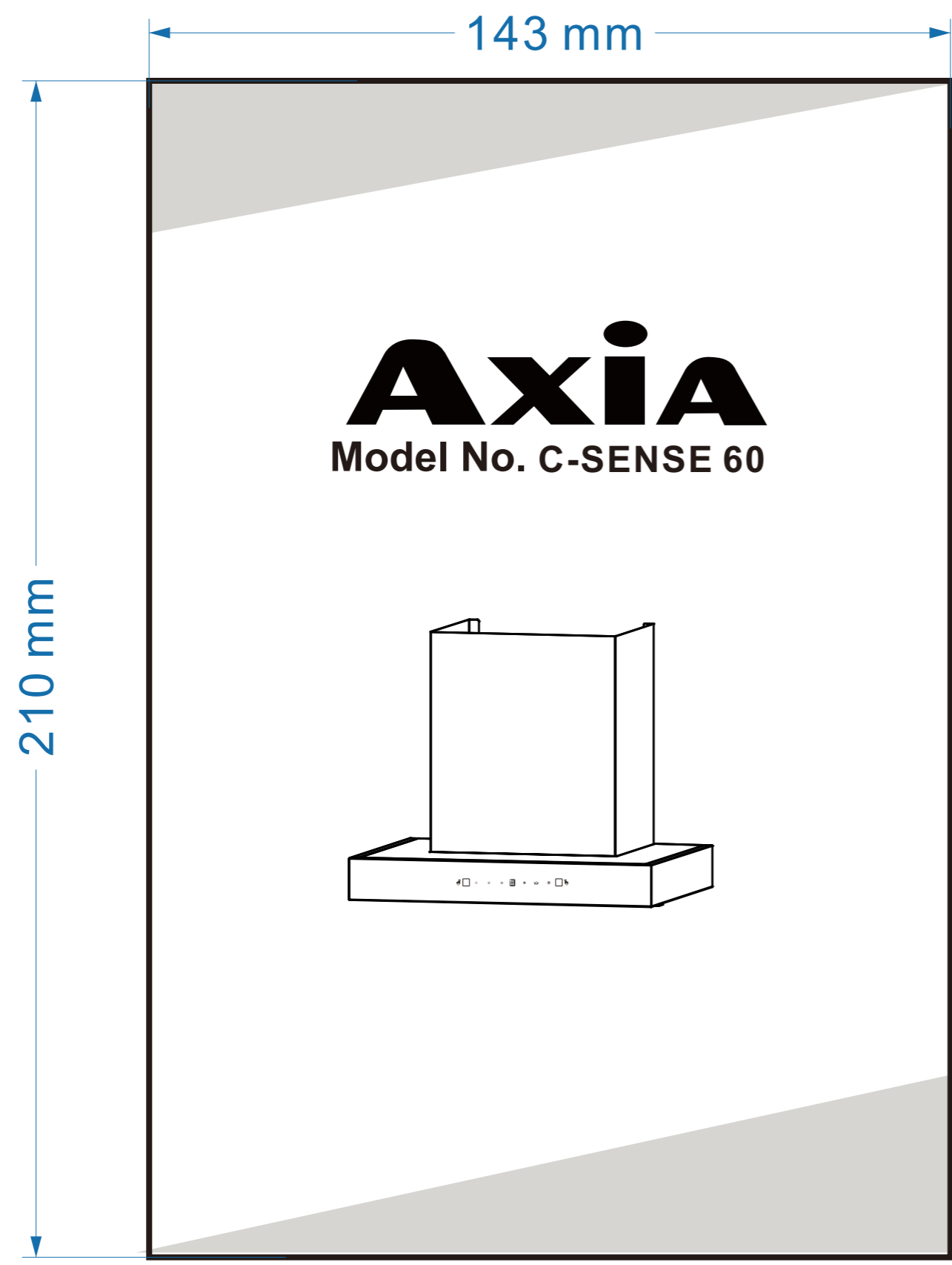


1	2	3	4	5	6
标记	更改内容	区域	更改文件编号	日期	登记 审核
△					

普通尺寸公差	公差等级	>0.5~6	>6~30	>30~120	>120~315	>315~1000	>1000~2000
	A级	±0.05	±0.1	±0.15	±0.2	±0.3	±0.5
	B级	±0.1	±0.2	±0.3	±0.5	±0.8	±1.2
	C级	±0.2	±0.5	±0.8	±1.2	±2.0	±3.0
	D级	±0.5	±1.0	±1.0	±1.5	±3.0	±4.0



全部 6.3/

技术要求：
 1.字体要求印刷清晰，不能出现错印，漏印现象。
 2.尺寸按规格要求。
 3.印刷版面参照电子档。

项目	批准	校核	设计	重要零件	材质	80克双胶纸	订单编号	PI-1539-19-1	
签字				服务零件	规格	143*210	料号	B53-TT26-1812-01-XX	
日期				安规零件	表面处理		图号	A	
中山市甜美电器有限公司 ZhongShan Tianmei Electrical Appliances Co.,Ltd				比例	第一角法	数量	重量	零件名称	说明书 1812
				单位	mm	图幅	1/1		

CONTENT

INTRODUCTION.....	2
SAFETY PRECAUTION.....	3
WALL MOUNTING INSTALLATION.....	4-8
INSTALLATION (VENT OUTSIDE).....	4-7
INSTALLATION (VENT IN SIDE).....	7-8
ISLAND MODEL INSTALLATION.....	8-11
SLIM MODEL.....	11-15
OPERATION.....	15-23
MAINTENANCE.....	23-24
TROUBLE SHOOTING.....	25
ENVIRONMENTAL PROTECTION.....	25

INTRODUCTION

Thank you for choosing this cooker hood.

This instruction manual is designed to provide you with all required instructions related to the installation, use and maintenance of the appliance. In order to operate the unit correctly and safely, please read this instruction manual carefully before installation and using.

SAFETY PRECAUTION

Never let the children operate the machine.

The cooker hood is for home use only, not suitable for commercial purpose. The cooker hood and its filter should be clean regularly in order to keep in good working condition.

Clean the cooker hood according to the instruction manual and keep the unit from danger of burning. There is a fire risk if cleaning is not carried out in accordance with the instructions.

Please keep the kitchen room a good convection before connecting this appliance; Please check that the power supply cord is not damaged. A damage supply cord must be replaced by qualified service personnel only.

There shall be adequate ventilation of the room when the range hood is used at the same time as appliances burning gas or other fuels; the air must not be discharged into a flue that is used for exhausting fumes from appliances burning gas or other fuels.

Regulations concerning the discharge of air have to be fulfilled.

Do not flame under the range hood.

This appliance can be used by children aged from 8 years and above and persons with reduced physical, sensory or mental capabilities or lack of experience and knowledge if they have been given supervision or instruction

concerning use of the appliance in a safe way and understand the hazards involved. Children shall not play with the appliance. Cleaning and user maintenance shall not be made by children without supervision.

If the supply cord is damaged, it must be replaced by the manufacturer, its service agent or similarly qualified persons in order to avoid a hazard.

CAUTION: Accessible parts may become hot when used with cooking appliance.

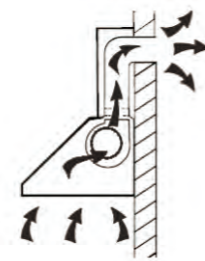
Electrical Shock Hazard

Only plug this unit into a properly earthed outlet. If in doubt, seek advice from a suitably qualified engineer.

WALL MOUNTING INSTALLATION

1. Prepare for installation:

a. If you have an outlet to the outside, your cooker hood can be connected as below picture by means of an extraction duct (with an interior diameter of 150mm)



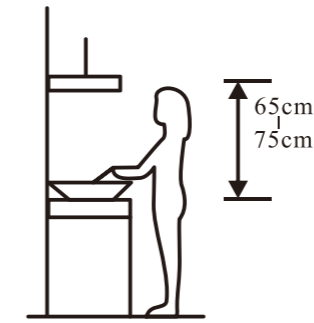
b. Before installation, turn the unit off and unplug it from the outlet.



c. The cooker hood should be placed at a distance of 65-75cm above the

3

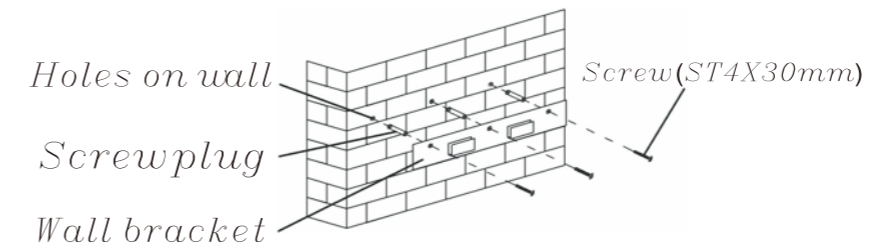
cooking plane for best effect.



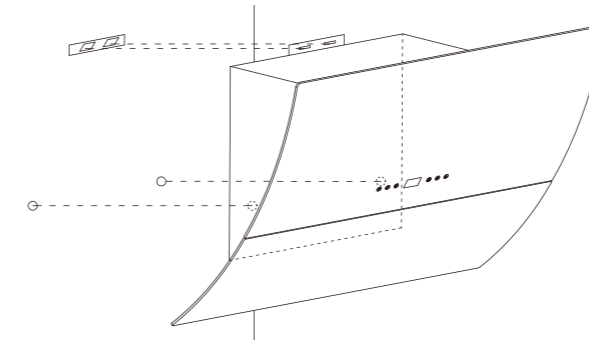
2. Installation (Vent outside):

Attention! Observe the warning in the instruction sheet concerning the operation of the appliance when air is discharged from the room.

Drill 3 x 8mm holes to accommodate the bracket. Screw and tighten the bracket onto the wall with the screws & screw plugs provided.

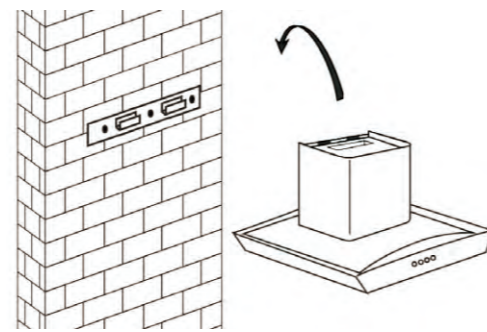


For inclined panel Model, need to drill 2x8mm extra holes & fixing screws & screw plugs before installation.

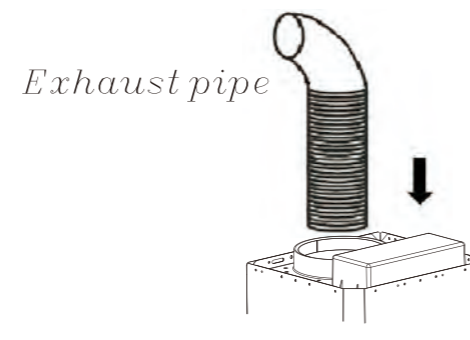


Leave up the cooker hood and hang onto the wall bracket hook.

4

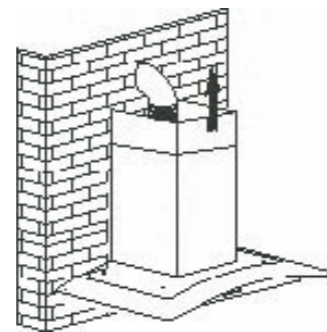


Fix the one-way-valve to the air outlet of the cooker hood. Then, attached the exhaust pipe onto the one-way-valve as shown below



Chimney installation.

Put the upper chimney into lower chimney. Then pulling out the upper chimney upwards. Adjust to reach the height required.

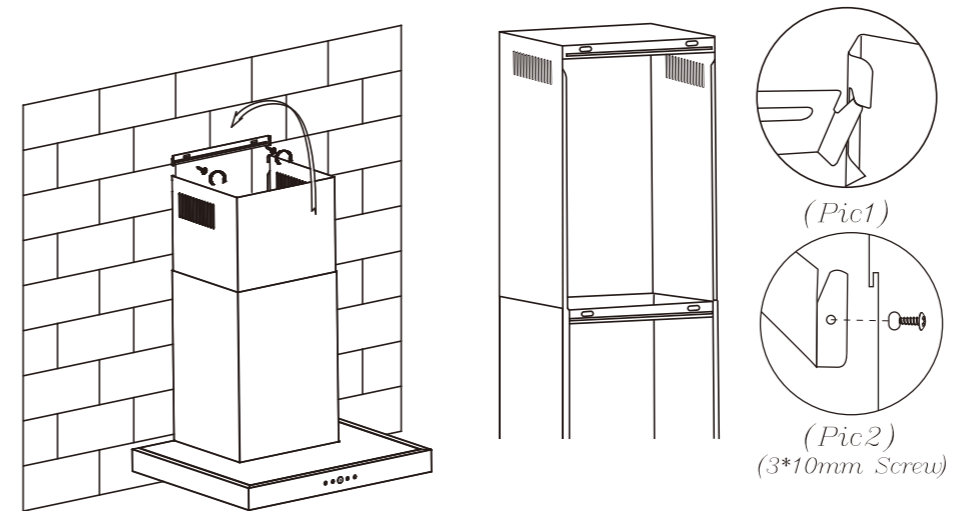


5

Measure the appropriate height and drill 2 ×8mm holes to accommodate the plate II. Screw and tighten the upper wall with 2 screws provided.

There are 2 methods for installing the chimney cover. Please check the below pic for reference.

1. After drilled the 2 holes and fixed the hook, hang the chimney cover by matching the both side lock. (Pic1)
2. After drilled the 2 holes and fixed the hook, install the chimney cover by locking with 2 screws in both side holes. (Pic2)



Ps:

The inner chimney cover are with 2 methods ways for installing. (Pic 1 & Pic 2)

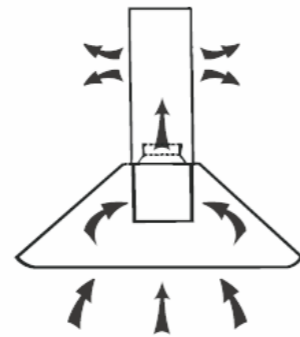
Outer chimney cover only have 1 method way for installing (Pic 1)

3. Installation (Vent inside)

If you do not have an outlet to the outside, exhaust pipe is not required and the installation is similar to the one show in section

“Installation (Vent outside)”.

6

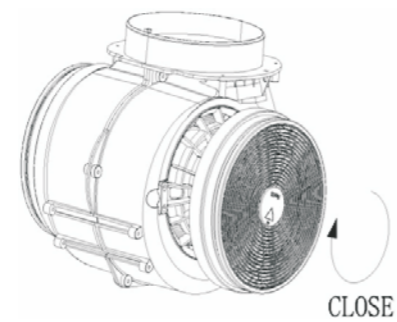


Activated carbon filter can be used to trap odors.

In order to install the activated carbon filter, the grease filter should be detached first. Press the lock and pull it downward.



Plug the activated carbon filter into the unit and turn it in clockwise direction. Repeat the same on the other side.

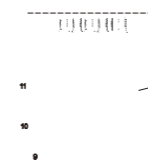


NOTE:

1. Make sure the filter is securely locked. Otherwise, it would loosen and cause dangerous.
2. When activated carbon filter attached, the suction power will be lower.

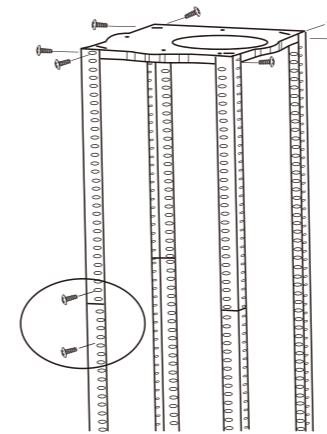
ISLAND MODEL INSTALLATION

Position the hanging plate on the ceiling and then mark the position of the screw holes. The hanging plate should be securely fixed to the ceiling.



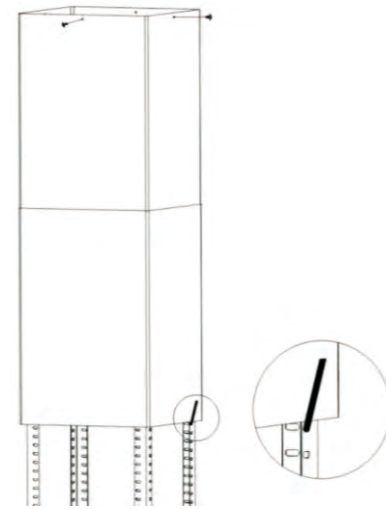
- 1) 11×ST4(30mm)screws for wood ceiling
- 2) 6×expansion bolts for cement ceiling

Fix the angle bars to the hanging plate, using the 8×M5 screws.



Extend the angle bars to the required height and then fix them in position using the 16 ×M5 screws and nuts with metal washers.

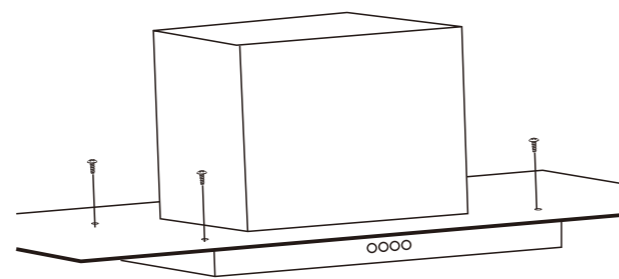
IMPORTANT: The angle bars must have an overlap of AT LEAST 100 mm.



If your cooker hood is going to be used in extraction mode, then you should connect the ducting hose to the ceiling adaptor at this point.

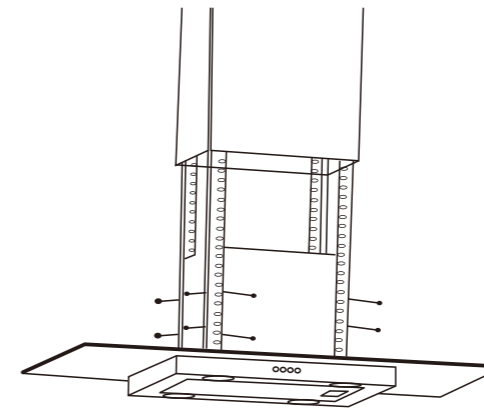
Fix the upper chimney section to the hanging plate, using the 4 × self tapping screws.

Slide the lower chimney section onto the angle bars and raise it until it sits just below the upper chimney section.



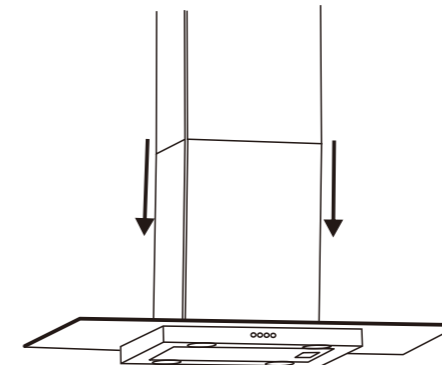
If the glass canopy has not been pre-assembled by the factory, then it should be fixed to the top of the main body of the cooker hood at this stage.

Lift the main body of the cooker hood onto the angle bar and then fix it into position using the 16 × M5 screws.



IMPORTANT: This stage of the installation process **MUST** be completed by two people.

IMPORTANT: The 16 × M5 screws **MUST** be securely tightened.



If you are going to be using the hood in extraction mode, you should fix the ducting hose to the ceiling.

The electrical connection must correspond to the electrical requirement noted on the rating plate, which is placed inside the cooker hood. The appliance should now be connected to the electrical supply.

Check that the appliance is operating correctly by selecting each speed and switching the light bulbs on and off.

Remove the hanging hook and then slide the lower chimney section downwards, until it rests against the main body of the cooker hood.

Use a stainless steel cleaner and polish on the stainless steel sections of the appliance.

If you are using the appliance in recirculation mode, then you should now fit the carbon filter. See the "fitting the carbon filter" section on page 9.

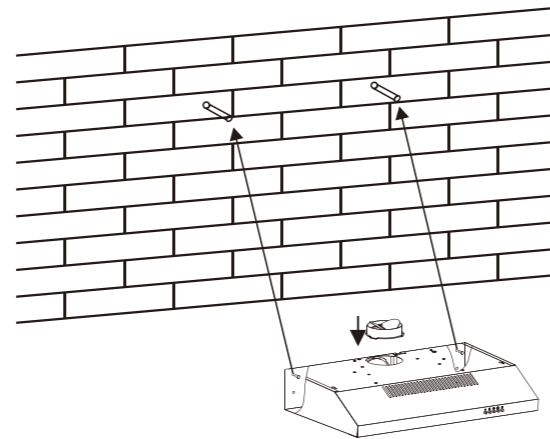
SLIM MODEL INSTALLATION

Way 1:

To install onto the wall drill 2 holes of 08mm on a suitable place according with the centre distance of hole in the back of the cooker hood.

Insert the nut into the holes.

Insert the screws into the nuts and tight. Put the cooker hood onto the tighten screws.



Fix the cooker hood with safety screw. The two safety vents are positioned on the back casing, with diameter of 6mm.

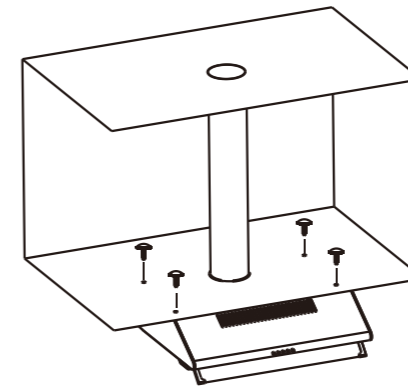
Put the one way valve onto the cooker hood.

11

Way 2:

Drill 4 holes of 6mm diameter at the bottom of the hanging cupboard

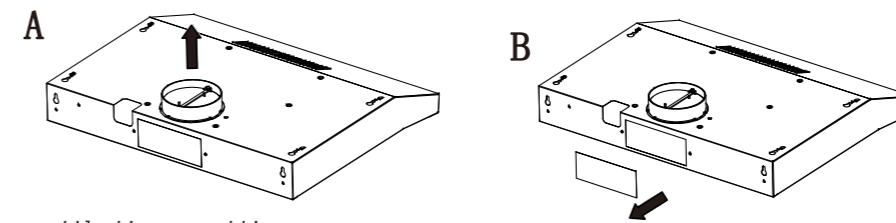
Put the one way valve on the cooker hood, then install the cooker hood on the bottom of the hanging cupboard, tighten the hood with enclosed 4 screws.



Note:

1. The extensible pipe are optional accessory, not supplied.
2. Take off protection film before installation.
3. There are 2 methods for ventilation, including 'horizontal ventilation' and 'vertical ventilation'. Please pay attention to the ventilation method when installation.

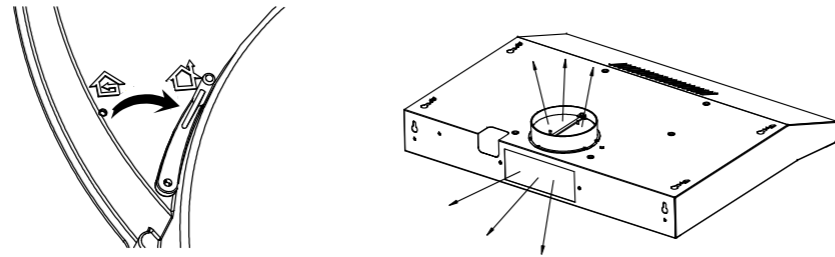
Vertical ventilation: See Pic A, please use tool take out the round cover before using, and the air can be vented from top horizontal ventilation: See Pic B, take out the round cover before using, and the air can be vented from back.



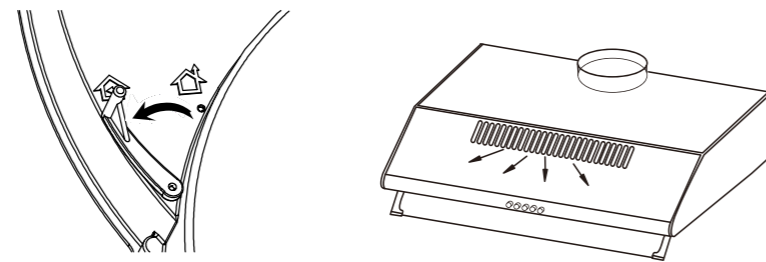
Air ventilation setting

Outdoor exhausting: Turn the adjuster to outdoor position, install the outlet, turn on the cooker hood, then the air will be vented from the outside outlet.

12



Recycling: the recycling mode with carbon filter. Turn the adjuster to indoor position, install the outlet cover, turn on the cooker hood, then the air can be vented from the inside outlet.



Note: *The charcoal filter is mounted on the back of the grill and must be changed once three month.*

Warning: *The charcoal cannot be washed or recycled. It should be changed at most after 120 hours using. The carbon filter shouldn't be exposed to heat.*

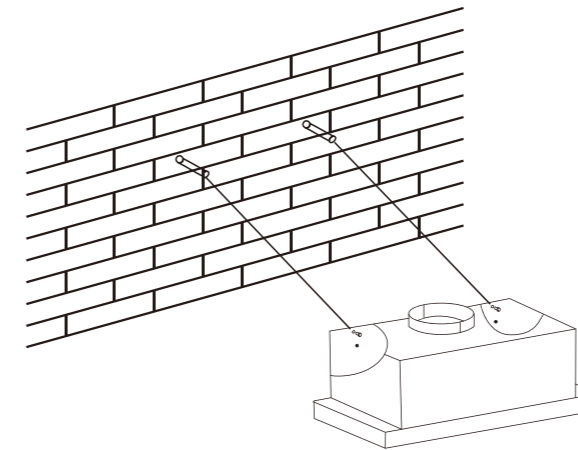
TELESCOPIC MODEL INSTALLATION

Way 1:

To install onto the wall drill 2 holes of Ø8mm on a suitable place according with the centre distance of hole in the back of the cooker hood.

Insert the nut into the holes.

Insert the screws into the nuts and tight. Put the cooker hood onto the tighten screws.



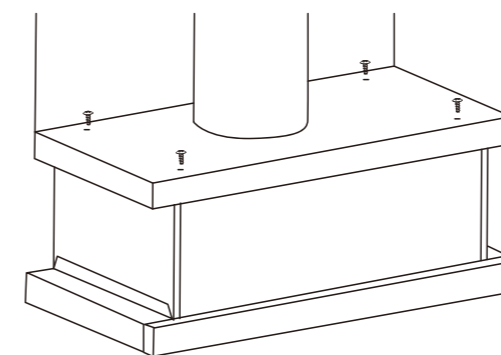
Fix the cooker hood with safety screw. The two safety vents are positioned on the back casing, with diameter of 6mm.

Put the one way valve onto the cooker hood.

Way 2:

Drill 4 holes of 6mm diameter at the bottom of the hanging cupboard

Put the one way valve on the cooker hood, then install the cooker hood on the bottom of the hanging cupboard, tighten the hood with enclosed 4 screws.



Note:


- 1.The extensible pipe are optional accessory, not supplied.*
- 2.Take off protection film before installation.*

OPERATION

Mechanical Rocker button


It just appear in TELESCOPIC MODEL.

 **Light button**
On the left side of hood.

 **Speed button**
On the right side of hood.
“=” : high speed level.
“-” : Low speed level.
“0” : Off

Push button



- ① **Off button**
It's used for turning off the fan.
- ① **Low Speed button**
It's used for Ventilation on the kitchen. It is suitable for simmering and cooking which do not make much steam.
- ② **Medium Speed button**
Airflow speed is ideally for ventilation in standard cooking operation.
- ③ **High Speed button**
When high density of smoke or steam produced, press high-speed button for highest effective ventilation.
-  **Light button**


Electronic button(light ring)



15

 **ON/OFF key**

Press this key to turn power/motor on and Off

 **Power down key**

On working condition, press this key to decrease the power one level

 **Power up key**

On working condition, press this key to increase the power one level

 **Delay key**

When motor is on working condition, press one time to set 5 minutes delay, press another time to turn the delay function off.

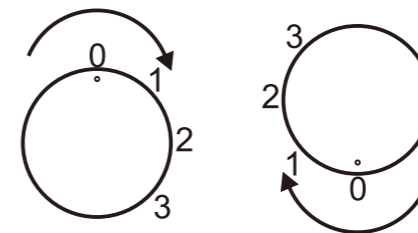
 **Light key**

Press one time for turning the lights on, press another time to turn the lights off.

Note:

Lights ring: All lights ring for the keys are on half-brightness condition when power is on, when press on the key, the lights ring would go to full-brightness condition, when do not press on the key, the light rings go back to half-brightness. When there is no pressing on the keys for 2 minutes, the light ring would turn from half-brightness to off condition, would recover to half-brightness when press on any key.

TURNING KNOB SWITCH FUNCTION



Start:

Turn the knob clockwise, the motor level will cycle from low level to middle level to high level to stop. Turn the knob anticlockwise, the motor level will cycle from high level to middle level to low level to stop.

On stand-by condition, press the knob for 5 seconds, operate the smoke/heat sensor. The light ring turns clockwise to indicate the working of smoke/heat

16

sensor.

On working condition, press the knob for 5 seconds, the delay-off timer operates; the power would shut down 5 minutes later. The light ring turns anticlockwise to indicate the working of timer.

On working condition, the light ring turns fast/slow according to the high/low level of the motor.

Press the knob for short time to turn on /off the light on all condition of the product.

Touch control (T01)



ON/OFF key

Press this key to turn power/motor on and off.

Power down key

On working condition, press this key to decrease the power one level,(the ON/OFF key light would blink slower than the power was not decreased).

Power up key

On working condition, press this key to increase the power one level,(the ON/OFF key light would blink faster than the power was not increased).

Delay key

When motor is on working condition, press one time to set 5 minutes delay, press another time to turn the delay function off.

Light key

Press one time for turning the lights on, press another to turn off.

Note:

Atmospheric light: All atmospheric light for the keys are on half-brightness condition when power is on, when press on the key, the atmospheric light would go to full-brightness condition, when do not press on the key, the atmospheric light go back to half-brightness. When there is no pressing on the keys for 2 minutes, the atmospheric light would turn from half-brightness to off condition, would recover to half-brightness when

press on any key. (When the lights are on, the atmospheric light for the light key is full-brightness, when the lights are off, the atmospheric light is half-brightness).

Touch control (T02)



Digital display key

Press this key to make power on and off.

Power down key

On working condition, press this key to decrease the power one level,

Power up key

On working condition, press this key to increase the power one level.

Delay key

On stand-by and working condition, press this key for 3s, the digital display blinks, we can set the delay power off time from 1 minute to 9 minutes; press the key again to save the setting. If 10s no pressing, then the setting would be saved automatically.

When the motor is on and the delay setting is saved, we can still adjust the setting, and the display window will display the countdown time. When the motor is not working, can just set the delay time, does not have countdown function. The delay time would turn to countdown time when the motor is working.

Light key

Press one time for turning the lights on, press another to turn the lights off.

Note:

Digital Display: On working condition, the display would off if 2 minutes without pressing, press again, the key lights on.

Touch control (T03)



Digital display key

Press this key to make power on and off.

Power down key

On working condition, press this key to decrease the power one level.

Power up key

On working condition, press this key to increase the power one level.

Delay key

On stand-by and working condition, press this key for 3s, the digital display blinks, we can set the delay power off time from 1 minute to 9 minutes; press the key again to save the setting. If 10s no pressing, then the setting would be saved automatically.

When the motor is on and the delay setting is saved, we can still adjust the setting, and the display window will display the countdown time. When the motor is not working, can just set the delay time, does not have countdown function. The delay time would turn to countdown time when the motor is working.

Light key

Press one time for turning the lights on and off.

Remote function refer to remote panel

Note:

Digital Display: On working condition, the display would off if 2 minutes without pressing, press again, the key lights on.

Touch control (T08)



Digital display key

Press this key to make power on and off.

Power down key

On working condition, press this key to decrease the power one level.

Power up key

On working condition, press this key to increase the power one level.

Delay key

On stand-by and working condition, press this key for 3s, the digital display blinks, we can set the delay power off time from 1 minute to 9 minutes; press the key again to save the setting. If 10s no pressing, then the setting would be saved automatically.

When the motor is on and the delay setting is saved, we can still adjust the setting, and the display window will display the countdown time. When the motor is not working, can just set the delay time, does not have countdown function. The delay time would turn to countdown time when the motor is working.

On stand-by or working condition, press this button, operate the heat auto clean function, and the heating element would work for 6 minutes, and when there is 1 minute left for this 6 minutes, the motor would turn on at low power and work until the 6 minutes of heating finished. When auto heating clean function is finished, the hood would back to stand-by condition. When heating function is on, the power increase and decrease function and time function is not workable.

Light key

Press one time for turning the lights on, press another to turn the lights off.

Note:

Digital Display: On working condition, the display would off if 2 minutes without pressing, press again, the key lights on.

Touch control (T04)



ON/OFF key

Press this key to turn on/off the power.

Filter clean

The first time power on, or continue working for 14h, the remark for washing the filter[]would on.

Power down key

1. On Working condition, press fast to decrease the motor one lever.
2. On delay setting condition, fast pressing to decrease 1 minute, slow pressing to decrease continuously.
3. On time setting condition, fast pressing to decrease 1 hour/minute, slow pressing to decrease continuously.

Power up key

1. On working condition, Press fast to decrease the motor one lever.
2. On delay setting condition, fast pressing to increase 1 minute, slow pressing to increase continuously.
3. On time setting condition, fast pressing to increase 1 hour/minute, slow pressing to increase continuously.

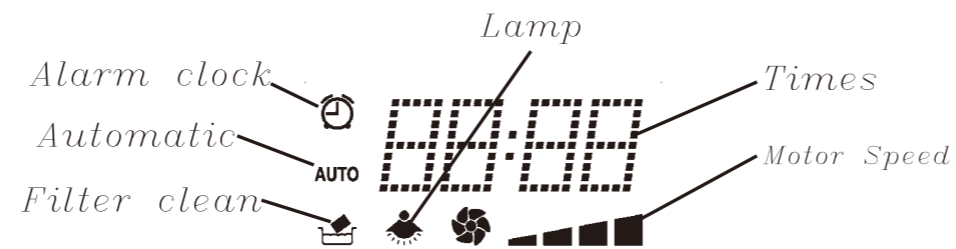
Delay key

1. Delay setting: When the motor is on 0 lever, press one time to add 5 minutes (from 5 minutes to 60 minutes), the setting would be saved if 10 minutes without pressing. And the display would show current time rather than delay time. When the motor is working, press this key to activate the delay function.
2. Time setting: On stand-by and power off condition, press [Delay] for 3s to set time, the related 3 key lights would on. The setting would be saved if 10s without pressing.

Light key

1. Fast pressing to turn on/off the lights.
2. Slow pressing the key to check the working hour for the motor, Fast pressing to finish the checking and buzzer buzzes one time, would finish checking automatically if 10s without pressing. When motor working for 14 hours, the clean mark on the LED would on, slow pressing the light key to remove the clean mark.

Remote function refer to remote panel



1. On stand-by and working condition, the LED would be shut off if 2 minutes without pressing, press any key to turn the LED on.
2. When key lights are off, only ON/OFF and lights key can turn the LED on, On stand-by condition, any key can turn the LED on, all operation based on LED is on function.

Touch control T37



After plug in power the control board will into Standby mode automatic.

Low Speed

It's used for Ventilation in the kitchen. It is suitable for simmering and cooking which do not make much steam.

Medium Speed

Airflow speed is ideally for ventilation in standard cooking operation.

High Speed

When high density of smoke or steam produced, press high-speed button for highest effective ventilation.

Light

Press one time to turn on the light and press again to turn it off.

Auto clean Function

On standby mode press the auto clean icon and hold to turn on the heat auto clean. The metal housing temperature can reach 70°C with the work of heating element. The high temperature can melt the oil on housing and flow down to the oil cup. The cooker hood will turn back to stand-by mode after working for 9 minutes. Note: Other function cannot be operated on Auto clean mode.

Motion Sensor

From left to right: the cooker hood will start from LOW speed. The LED icon will be turned on. Repeat same gesture: the cooker hood will switch to MEDIUM speed and HIGH speed.

Motion Sensor

From right to left the cooker hood will start operating DELAY mode. Repeat same gesture: the cooker hood will switch off. Note: On stand-by mode there is no response to the gesture from right to left switch.

Delay mode

On working condition press the icon to turn into delay mode. The cooker hood will turn off in 3 minutes later. Press the icon and hold for 3s the cooker hood will turn off.

MAINTENANCE

Before cleaning switch the unit off and pull out the plug.

I. Regular Cleaning

Use a soft cloth moistened with hand-warm mildly soapy water or household cleaning detergent. Never use metal pads, chemical, abrasive material or stiff brush to clean the unit.

II. Monthly Cleaning for Grease Filter

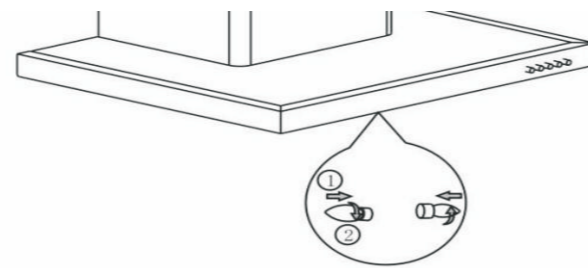
ESSENTIAL: Clean the filter every month can prevent any risk of fire. The filter collects grease, smoke and dust ... so the filter is directly affecting the efficiency of the cooker hood. If not cleaned, the grease residue (potential flammable) will saturate on the filter. Clean it with household cleaning detergent.

III. Annual Cleaning for Activated Carbon Filter

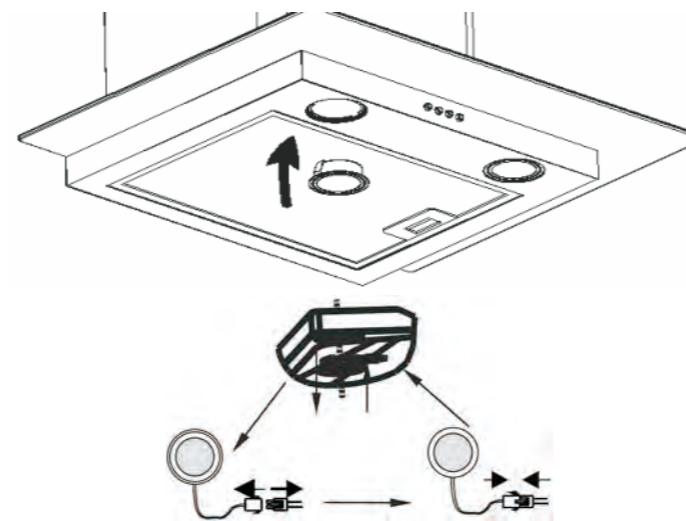
Apply SOLELY to unit that installed as a recirculation unit (not vented to the outside). This filter traps odours and must be replaced at least once a year depending on how frequent the cooker hood used.

IV. Bulb Replacement

1. Switch the unit off and unplug the appliance.
 2. Remove the lamp cover by unscrewing the 2 screws.
 3. Unscrew the incandescent bulb
 4. Replace with the same type and rated bulb/lamp
- E14 Incandescent Bulb: (220V E14 Max 40W).



Halogen lamp (max, 20W) & LED lamp (max, 1.5W).



TROUBLE-SHOOTING

<i>Fault</i>	<i>Cause</i>	<i>Solution</i>
<i>Light on, but fan does not work</i>	<i>The fan blade is jammed.</i>	<i>Switch of the unit and repair by qualified service personnel only.</i>
	<i>The motor is damaged.</i>	
<i>Both light and fan do not work</i>	<i>light bulb burn.</i>	<i>Replace the bulb with correct rating.</i>
	<i>Power cord looses.</i>	<i>Plug in to the power supply again.</i>
<i>Serious Vibration of the unit</i>	<i>The fan blade is damaged.</i>	<i>Switch of the unit and repair by qualified service personnel only.</i>
	<i>The fan motor is not fixed tightly.</i>	<i>Switch of the unit and repair by qualified service personnel only.</i>
	<i>The unit is not hung properly on the bracket.</i>	<i>Take down the unit and check whether the bracket is in proper location.</i>
<i>Suction performance not good</i>	<i>Too long distance between the unit and the cooking plane</i>	<i>Readjust the distance to 65-75cm</i>

ENVIRONMENTAL PROTECTION

Waste electrical products should not be disposed of with household waste. Please recycle where facilities exist. Check with your Local Authority or retailer for recycling advice.

